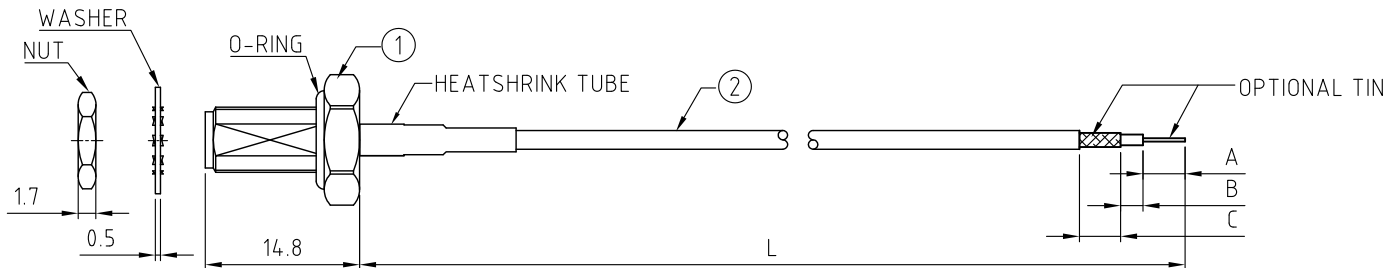


CABLE 273 RF: SMA STRAIGHT BULKHEAD JACK WITH O-RING RATED TO IP67/68 + RG178 CABLE + STRIP/TIN

SPECIFICATIONS :

1. SMA STRAIGHT BULKHEAD JACK WITH O-RING RATED TO IP67/68, P/N: RFCT-SMA002-F78
2. RG178 COAXIAL CABLE, COLOR: BROWN
3. TWISTED BRAID OR FLEXIBLE COPPER WIRE, LENGTH = A (CENTRE CONDUCTOR) + B (INSULATOR). MINIMUM = 6.0MM. LENGTH 6.0MM - 9.9MM: TWISTED BRAID. LENGTH +10MM: FLEXIBLE COPPER WIRE.

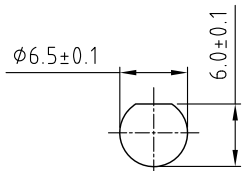


ENVIRONMENTAL:

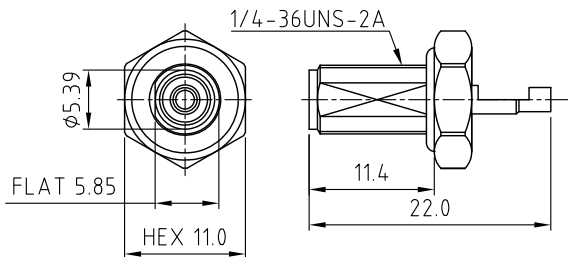
- A. BULKHEAD MOUNTED CONNECTOR (RFCT-SMA002-F78) TESTED TO THE FOLLOWING SPECIFICATION:
- i. IP6X - DUST TIGHT - NO PARTICLE INGRESS.
  - ii. IPX7 WATERPROOF FOR 30 MINUTES UP TO 1 METER UNDERWATER.
  - iii. IPX8 WATERPROOF FOR 48 HOURS AT 1 METER UNDERWATER.
  - iv. IPX8 WATERPROOF FOR 12 HOURS AT 5 METERS UNDERWATER.
  - v. PRESSURE TEST - 1 BAR FOR 10 SECONDS.

NOTES:

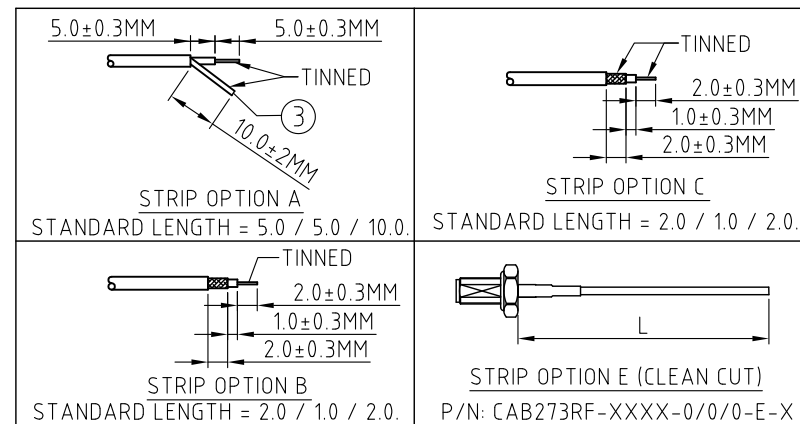
1. STRIP DIMENSION A / B / C STANDS FOR  
A = CENTRE CONDUCTOR  
B = INSULATOR  
C = BRAID.
2. INSERTION LOSS TEST REPORT IS NOT AVAILABLE.
3. THIS IS OUR STANDARD OFFERING, SPECIAL DESIGNS ARE AVAILABLE, INCLUDING CUSTOM TOLERANCES AND SPECIAL BRAID TINNING DESIGNS. PLEASE CONTACT GRADCONN FOR MORE INFORMATION.
4. CENTRE CONDUCTOR AND TWISTED BRAID OF COAX CABLE IS TINNED. WHEN BRAID LENGTH EXCEEDS 10MM LENGTH OF TINNED COPPER WIRE IS SOLDERED TO THE BRAID/SHIELD OF THE COAX CABLE WHICH ALLOWS SOLDERING TO PCB.
5. IMPEDANCE: 50 OHM.
6. OPERATING TEMPERATURE: -40°C TO +125°C.



RECOMMENDED SMA MOUNTING HOLE



SMA DETAIL DRAWING



HOW TO ORDER

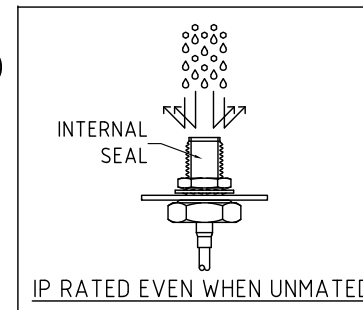
CAB273RF - XXXX - X.X / X.X / X.X - X - X

"L" LENGTH IN MM  
eg: 100MM = 0100  
(MIN. = 0050, MAX. = 2000  
STANDARD = 0100, 0150, 0200)  
Tolerance: <50mm: ±2mm.  
51-200mm: ±5mm.  
201-500mm: ±7mm.  
>501mm: ±10mm.

A/B/C STRIP DIMENSION IN MM FOR STANDARD LENGTH PLEASE REFER TO DRAWINGS. (SPECIALS AVAILABLE UPON REQUEST.)

WASHER AND NUT OPTIONS:  
BLANK = SEPARATELY PACKED (STANDARD)  
A = ASSEMBLED WITH CONNECTOR

STRIP AND TIN OPTIONS:  
A = CENTER CONDUCTOR & TWISTED BRAID/SOLDERED COPPER WIRE TINNED (SEE NOTE 4 FOR SOLDER TO PCB APPLICATION)  
B = STRIPPED, END A TINNED  
C = STRIPPED, END A & C TINNED  
E = CLEAN CUT



REV. DATE & DRN  
10 24/05/17 - NVM RELEASE  
11 16/06/20 - NVM  
12 09/12/23 - E & C  
13 09/12/23 - C  
ADD IP RATING VIEW

Scale: NTS	THIRD ANGLE	Unstated .X .XX .XXX ANGLES	Tolerances: N/A N/A N/A N/A
Drawn: CC		Title CABLE ASSEMBLY	
App'd: XXX	Date: 10 MAR. '24		
Date: 10 MAR. '24	Revision: 1.2	Unit: mm	

IP Rated RF Products

www.gradconn.com

Type: Cable 273 RF
CABLE 273 RF
Drawing Number:
Sheet 1 of 1
Drawing © E and O E